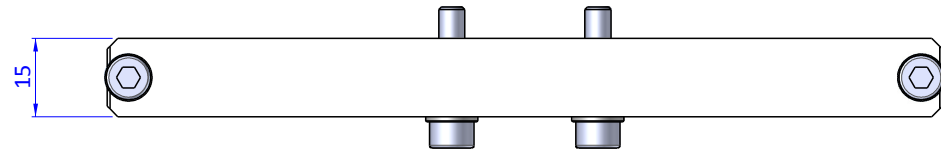
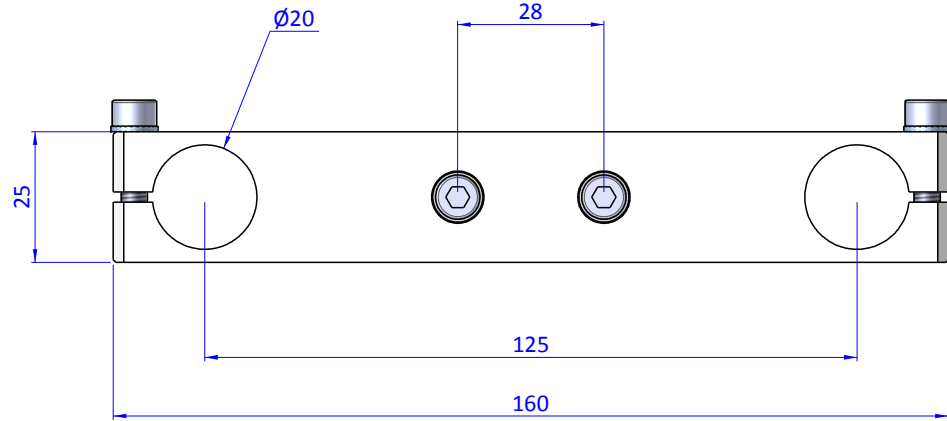
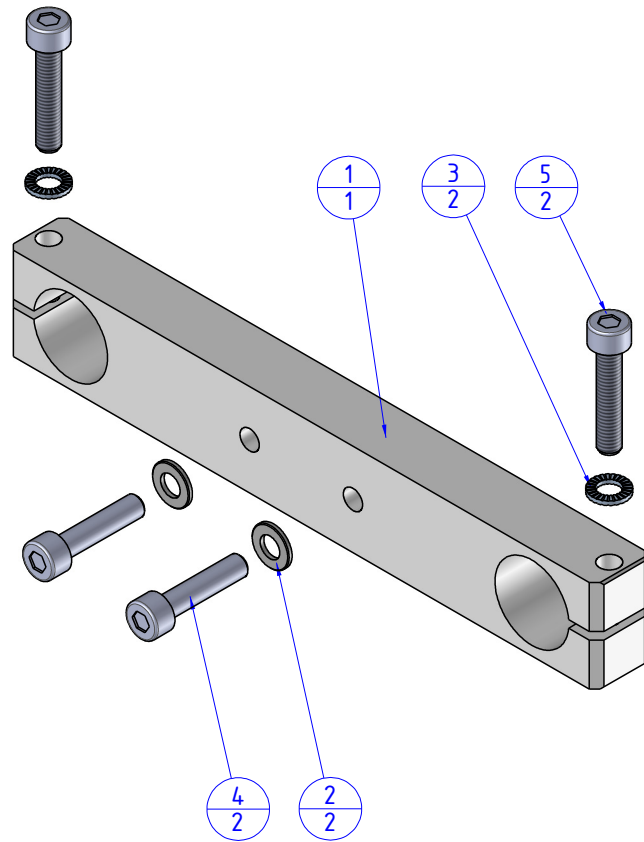



THE PROPERTY OF THE DRAWING IS ESTABLISHED BY LAW. IT IS FORBIDDEN TO PRODUCE OR SHOW IT TO THIRD PART, WITHOUT A WRITTEN AGREEMENT.

| Item | Name          | Q.ty |
|------|---------------|------|
| 1    | KBH.32.20.125 | 1    |
| 2    | R.5           | 2    |
| 3    | R.5.SCH       | 2    |
| 4    | V.TCE5x22     | 2    |
| 5    | V.TCE5x25     | 2    |



Format A3

UNI 936-76

|  |  |                  |         |                  |
|--|--|------------------|---------|------------------|
| <br><b>FPS</b><br>FPSERVICES AUTOMATION |  | DESIGNED FROM    |         | REVIEW           |
|  |  | FPS Automation   |         | A                |
| GENERAL TOLERANCE  |  | DATE             | WEIGHT  |                  |
| UNI - ISO 2768   |  | 20/05/2019       | 0,156kg |                  |
| CLASSE f   |  | CODE             |         |                  |
|  |  | CA.KBH.32.20.125 |         | CA.KBH.32.20.125 |